

MSP 216H

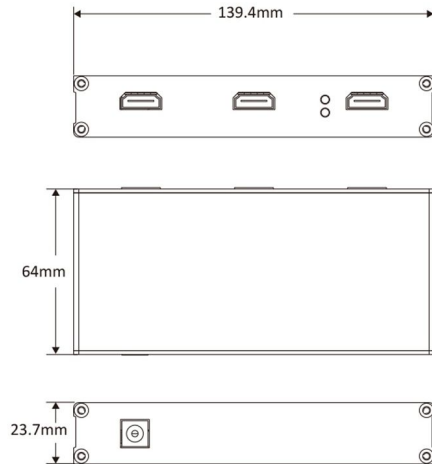
Compact Signal Distributor



Key Features

- Support Blu-ray DVD
- Support HDMI 1.3 or DVI 1.0 protocol
- Support full HD 1080P of HDMI input
- Automatic identification for input format
- Signal indicator real-time display

Dimensions



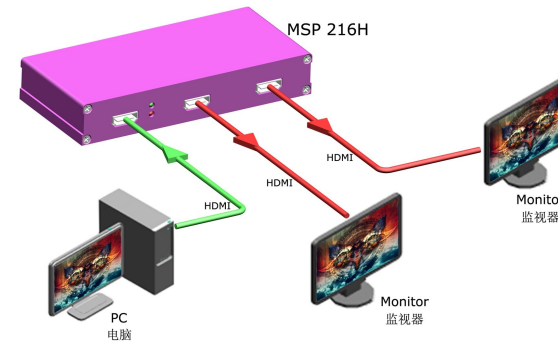
Specification

Connectors	Input	1 × HDMI	
	Output	2 × HDMI	
	Power	5.4mm DC Socket	
Performance	Input Resolution	HDMI: SMPTE: 480i 576i 720p@23.98/24/25/29.97/30/50/59.94/60 1080i@50/59.94/60 1080p@23.98/24/25/29.97/30/50/59.94/60 VESA: 800×600@60 1024×768@60 1024×768@75 1280×720@50 1280×720@60 1280×768@60 1280×800@60 1280×1024@60 1360×768@60 1366×768@60 1400×1050@60 1440×900@60 1600×1200@60 1680×1050@60 1920×1080@50 1920×1080@60 1920×1200@60 2048×1152@60 2560×812@60 2560×816@60	
		Output Resolution	HDMI: SMPTE: 480i 576i 720p@23.98/24/25/29.97/30/50/59.94/60 1080i@50/59.94/60 1080p@23.98/24/25/29.97/30/50/59.94/60 VESA: 800×600@60 1024×768@60 1024×768@75 1280×720@50 1280×720@60 1280×768@60 1280×800@60 1280×1024@60 1360×768@60 1366×768@60 1400×1050@60 1440×900@60 1600×1200@60 1680×1050@60 1920×1080@50 1920×1080@60 1920×1200@60 2048×1152@60 2560×812@60 2560×816@60
		Supported Standards	HDMI: 1.3
Power	Input Voltage	12V DC (via universal Plug Pack)	
	Max Power	1.5A	
	Temperature	0°C~45°C	
Environment	Humidity	10%~85%	
	Weight	0.17kg (Net Weight) 0.5kg (Package Weight)	
Physical	Dimensions	139.4mm x 64mm x 23.7mm (Device Dimension) 170mm x 120mm x 80mm (Package Dimension)	

Order Codes

Product Code	Item
620-0216-02-0	MSP 216H - 1 HDMI in / 2 HDMI Out Distributor

Application



Tel: +86-592-5771197 Fax: +86-592-5788216
 E-mail: sales@rgblink.com http://www.rgblink.com
 Headquarter: S601~604, 606, 607, 504 Weiyi Building Torch Hi-Tech Industrial
 Development Zone, Xiamen, Fujian Province, P.R.C



Specifications are correct at time of printing and subject to change or alteration without notice.